

KOBELCO

SK26-1E MINI EXCAVATOR

SK26



Complies with the EU Stage V
exhaust emission regulation

We Save You Fuel
Achieving a Low-Carbon Society

DO FULL-SIZED JOBS WITH A COMPACT MACHINE



Mini excavators are increasingly popular for work in confined spaces such as residential areas and buildings. But smallness alone doesn't satisfy users who also demand greater stability and first-rate operating performance. The KOBELCO SK26 mini excavator answers these needs with a high-output engine that provides plenty of power for tough, efficient operation. It also delivers excellent stability with superior weight distribution, a well-designed, comfortable cab equipped with an LCD monitor, and easy maintenance. These features make the SK26 mini excavator ideal for those who want powerful, basic functions and durable reliability. When you need to do a full-sized job with a compact machine, the SK26 is your answer.

COMFORT

Pleasant Work Environment

There is plenty of legroom, and the control lever, wrist rests, travel lever and control panel are all ergonomically positioned so that the operator can work for long hours without fatigue.

Comfortable Suspension Seat

The reclining, slide seat can be adjusted to match the operator's size and posture.

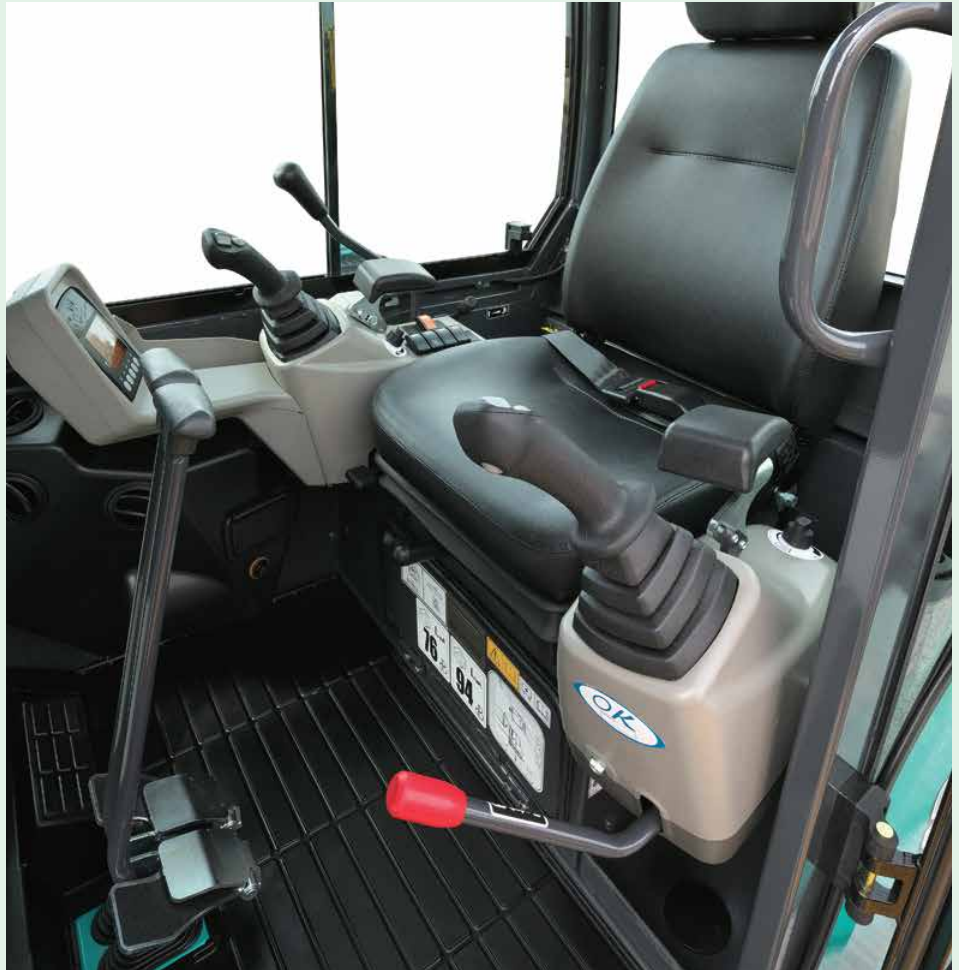
Wrist Rest



Wrist rests on the each control lever box ensure fatigue-free operation.

Excellent Air Circulation

The SK26 has a forced-air heater that keeps the cab comfortable conditions.



Travel Pedal

The travel pedal simplifies simultaneous operations while the machine is traveling.



Easy Access to Control Panel and Levers



Control panel



Travel high/low select switch and throttle lever

Amenities



- 1 Automatic ceiling light and optional radio with USB port
- 2 Storage compartment for manuals
- 3 Large cup holder

Backlit Liquid Crystal Monitor

The backlit liquid crystal monitor is provided as standard. Perfectly integrated into the right-hand console, the screen provides excellent visibility even in bright sunlight or at night, giving ready access to information concerning operation and machine status.



Warning indicators LED lamp

Water temperature gauge

Clock

Hour meter

Fuel gauge

Menu switch

Function keys

Function key guidance

Normal display

Main menu

Machine operation management

Maintenance

Machine operating hours

Language setting

With its compact design, the SK26 delivers fast work performance even in limited spaces.

Reliable Swing Power, Faster Working Speed

Boosted swing power and a top-class swing speed deliver shorter cycle times.

Swing Speed: **10.2min⁻¹**

Powerful Digging

For more efficient work performance.

Max. Arm Crowding Force: **14.5kN**

Max. Bucket Digging Force: **24.5kN**

Powerful Travel

Travel Speed: **4.8/2.9km/h**

Powerful Engine (ISO 9249)

Power Output: **17.6kW/2,400min⁻¹**

Auxiliary Circuit for Hammer or Auger

A proportional-control auxiliary line accommodates many accessories such as a hammer or auger, with the oil flow rate optimized for each device.

Easy Transportability

Weighing just 2,600 kg, the SK26 is easily transported on a 3.5-ton trailer with plenty of room to spare for the simultaneous transport of a bucket or other attachment.

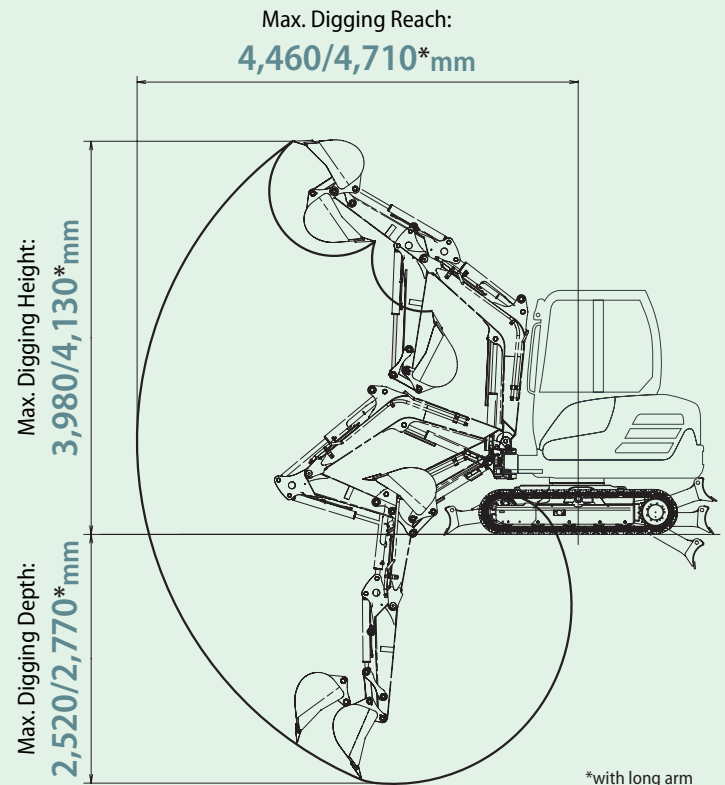


Auto-Idling System (Optional)

Auto-Idling System which turns down the engine speed to idle when the machine has not been used for more than 4 seconds, then accelerates automatically when needed.

Wide Working Range

The SK26 has an impressive working range.



Compact Swing Radius

The SK26 has a very small swing radius that ensures easy access and efficient operation on sites where space is limited. The compact design provides excellent power, productivity and stability that allow you to work with confidence even under difficult conditions.



Exceptional Stability and Lifting Strength

A wide counterweight and excellent weight distribution provide the SK26 with impressive stability and exceptional lifting capacities.

Lifting Capacity: **1,050kg at 2.0m**

Figures show the value of cab specs. with rubber shoe and standard arm. (ground level)



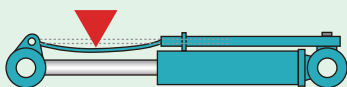
RELIABILITY

Reliable Construction

The SK26's tough durability makes it ideal for working in tight spaces and keeps repair costs down.

Spring Steel Cylinder Rod Guard

The spring steel cylinder rod guard is standard for the boom, arm and bucket cylinder. The use of spring steel not only protects the cylinder rod, but gives resiliency to the guard itself.



LED Work Light

The LED work light is mounted under the boom to protect it from damage.



Dozer

Dozer cylinder rod guard protects dozer cylinder from damage.



SAFETY

Operator Safety

The SK26 has a full range of safety features that help prevent or reduce the severity of onsite accidents.

Reliable Cab/Canopy Structure

The high-strength cab/canopy meets FOPS 1 and TOPS standards for greater operator safety.



Optimum Visibility

The SK26 is equipped with 3 rear and side view mirrors. The operator can control the work area as well as the area around machine.



Safety Lock Lever

The safety lock lever permits entry and exit only when the levers are disengaged to prevent accidental operation.



Three LED Cab Lights (Optional)

Three LED cab lights can be fitted as option to provide a clear view during nighttime operations. The LED provides a powerful light while reducing energy consumption.



Hammer for emergency exit



MAINTENANCE

Easy Maintenance

The engine hood opens fully and components that require the most frequent checks are positioned for easy access, thereby reducing maintenance time.

Easy Access to Engine Compartment



Air cleaner

Fuel filter

Radiator over flow bottle



Right Side



Fuel tank

Battery

Water separator

Under the Operator's Seat



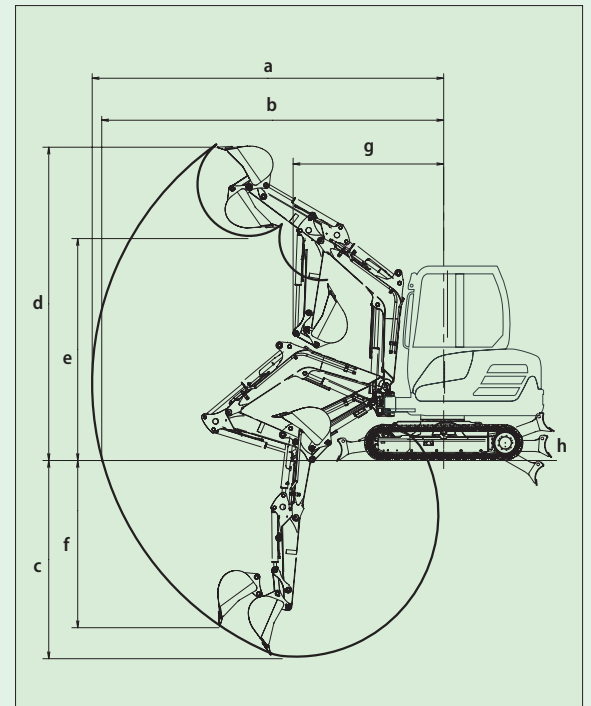
•Generator

•Starter motor

Specifications

GENERAL				
MODEL		SK26		
Type		SK26-1E		
PERFORMANCE				
Shoe Type		Rubber	Steel	
Bucket Capacity		m ³	0.06	
Travel Speed (high/low)		km/h	4.8/2.9	
Swing Speed		min ⁻¹ {rpm}	10.2	
Gradeability		% (degree)	47 (30)	
Traction Force		kN	37.0	
Bucket Digging Force		kN	24.5	
Arm Crowding Force		kN	14.5	
WEIGHT				
Machine Mass	Cab	kg	2,665	2,750
	Canopy	kg	2,525	2,610
Ground Pressure	Cab	kPa	25.5	32.4
	Canopy	kPa	24.5	30.4
ENGINE				
Model		YANMAR 3TNV82A-BPBVA		
Type		Water cooled		
Power Output NET	(ISO9249)	kW/min ⁻¹ {rpm}	17.6/2,400	
	(ISO14396)	kW/min ⁻¹ {rpm}	18.2/2,500	
Max. Torque NET	(ISO9249)	N-m/min ⁻¹ {rpm}	17.4/2,400	
Displacement		L	1.331	
Fuel Tank		L	38.5	
HYDRAULIC SYSTEM				
Pump		Variable pump		
Max. Discharge Flow		L/min	2 x 32.4, 21.6, 10.8	
Relief Valve Setting		MPa	21.0	
Hydraulic Oil Tank (system)		L	25.2 (30)	
DOZER BLADE				
Width x Height		mm	1,550 x 280	
Working Ranges (height/depth)		mm	300/350	
SIDE DIGGING MECHANISM				
Type		Boom swing		
Offset Angle	To the left	degree	45	
	To the right	degree	75	

Working Ranges

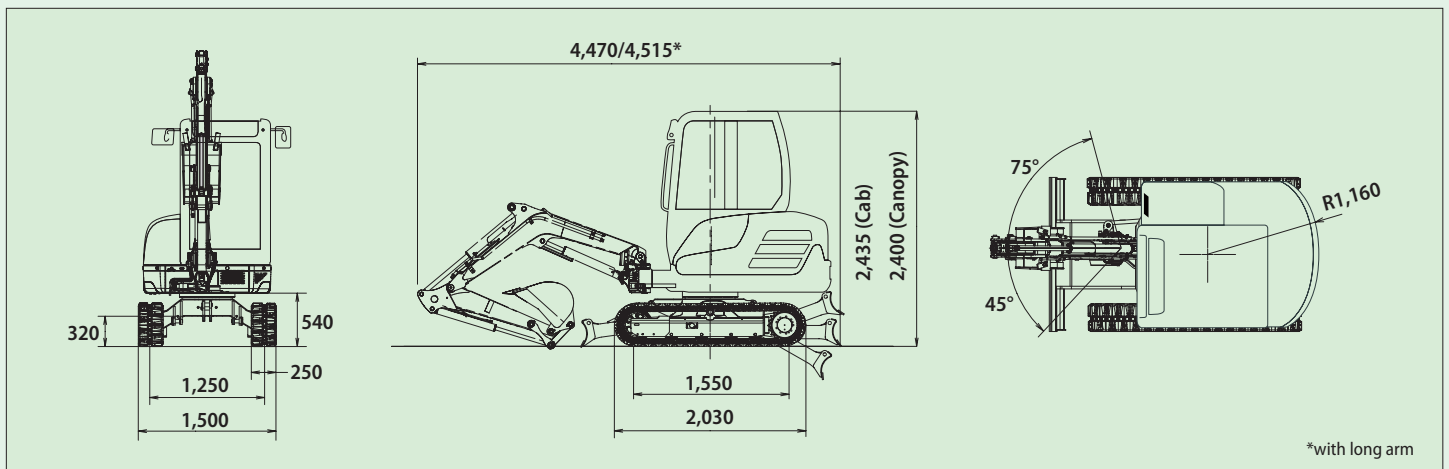


Unit: mm

MODEL	SK26
a- Max. digging reach	4,460/4,710
b- Max. digging reach at ground level	4,340/4,600
c- Max. digging depth	2,520/2,770
d- Max. digging height	3,980/4,130
e- Max. dumping clearance	2,830/2,980
f- Max. vertical wall digging depth	920/1,120
g- Min. swing radius	1,915/1,975
g- Min. swing radius at boom swing	1,615//1,670
h- Dozer blade (height/depth)	300/350

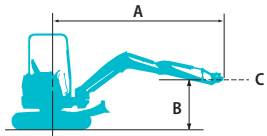
General Dimensions

Unit: mm



*with long arm

Lift Capacities



Rating over front



Rating over side or 360 degrees

A: Reach from swing centerline to arm top
 B: Arm top height above/below ground
 C: Lift point
 Shoe: Rubber shoe Dozer blade: Up
 Relief valve setting: 20.6 MPa

SK26 Cab		Standard Arm: 1.15m		Bucket: Without		Rubber Shoe: 250mm						
B	A	2.0 m		2.5 m		3.0 m		3.5 m		At Max. Reach	Radius	
2.5 m	kg					*525	*525			*515	*515	3.5 m
2.0 m	kg			*570	*570	*560	*560	*530	*530	*535	415	3.6 m
1.0 m	kg	*1,040	860	*815	680	*695	515	*590	420	430	370	3.8 m
G. L.	kg	1,050	885	650	640	585	495	450	400	450	370	3.7 m
-1.0 m	kg	*1,105	780	*830	640	610	500			*580	430	3.2 m
-1.5 m	kg	*810	*765	*580	*580					*540	*540	2.7 m

SK26 Cab		Long Arm: 1.40m		Bucket: Without		Rubber Shoe: 250mm						
B	A	2.0 m		2.5 m		3.0 m		3.5 m		At Max. Reach	Radius	
2.5 m	kg					*435	*435	*465	*465	*455	*455	3.7 m
2.0 m	kg					*480	*480	*470	*470	*470	365	3.9 m
1.0 m	kg	*1,050	*1,050	*770	*770	*620	*620	*545	415	380	330	4.1 m
G. L.	kg	1,020	870	725	635	560	500	445	400	390	340	3.9 m
-1.0 m	kg	*1,110	880	*835	620	*610	490			*545	380	3.5 m
-1.5 m	kg	*830	*830	*645	*645					*560	*560	3.0 m

SK26 Canopy		Standard Arm: 1.15m		Bucket: Without		Rubber Shoe: 250mm						
B	A	2.0 m		2.5 m		3.0 m		3.5 m		At Max. Reach	Radius	
2.5 m	kg					*525	*525			*515	405	3.5 m
2.0 m	kg			*570	*570	*560	*560	*530	*530	*535	375	3.6 m
1.0 m	kg	*1,040	775	620	615	525	465	505	380	365	330	3.8 m
G. L.	kg	955	800	580	575	535	450	405	365	370	335	3.7 m
-1.0 m	kg	*1,105	695	*830	575	*610	450			515	385	3.2 m
-1.5 m	kg	*810	555	*580	*580					*540	410	2.7 m

SK26 Canopy		Long Arm: 1.40m		Bucket: Without		Rubber Shoe: 250mm						
B	A	2.0 m		2.5 m		3.0 m		3.5 m		At Max. Reach	Radius	
2.5 m	kg							*465	*465	*455	350	3.7 m
2.0 m	kg					*480	*480	*470	*470	*470	330	3.9 m
1.0 m	kg	*1,050	*1,050	*770	*770	*620	470	420	375	350	300	4.1 m
G. L.	kg	925	785	660	565	510	450	405	365	355	310	3.9 m
-1.0 m	kg	870	790	665	560	490	440			430	340	3.5 m
-1.5 m	kg	*830	625	*645	505					*565	400	3.0 m

Notes:

- Do not attempt to lift or hold any load that is greater than these lift capacities at their specified lift point radius and heights. Weight of all accessories must be deducted from the above lift capacities.
- Lift capacities are based on machine standing on level, firm, and uniform ground. User must make allowance for job conditions such as soft or uneven ground, out of level conditions, side loads, sudden stopping of loads, hazardous conditions, experience of personnel, etc.
- Arm top defined as lift point.

- The above lifting capacities are in compliance with ISO 10567. They do not exceed 87% of hydraulic lifting capacity or 75% of tipping load. Lifting capacities marked with an asterisk (*) are limited by hydraulic capacity rather than tipping load.
- Operator should be fully acquainted with the Operator's and Maintenance Instructions before operating this machine. Rules for safe operation of equipment should be adhered to at all times.
- Lift capacities apply to only machine as originally manufactured and normally equipped by KOBELCO CONSTRUCTION MACHINERY CO., LTD.

Note: This catalog may contain attachments and optional equipment that are not available in your area. And it may contain photographs of machines with specifications that differ from those of machines sold in your areas. Please consult your nearest KOBELCO distributor for those items you require. Specialist equipment is needed to use this machine in demolition work. Before using it please contact your KOBELCO dealer.

Due to our policy of continuous product improvements all designs and specifications are subject to change without advance notice.

Copyright by **KOBELCO CONSTRUCTION MACHINERY CO., LTD.** No part of this catalog may be reproduced in any manner without notice.

Kobelco Construction Machinery Europe B.V.

Veluwezoom 15
 1327 AE Almere
 The Netherlands
www.kobelco-europe.com

Enquiries To: